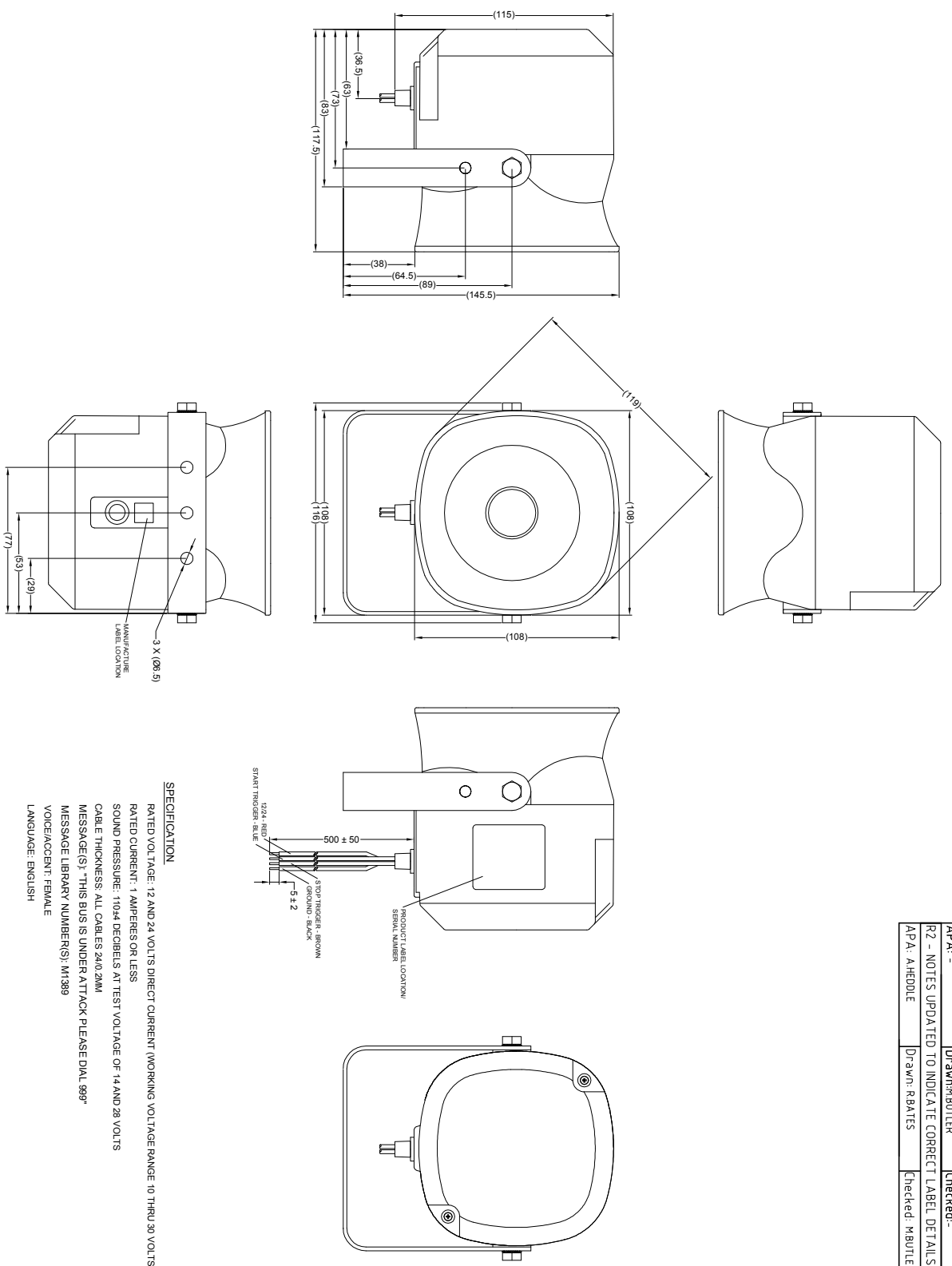


Revision Notes			
R1 - DRAWING SPECIFICATION RELEASED INCORRECTLY. CORRECT MESSAGE UPDATED ON DRAWING.			
APR -	Drawn: BUTLER	Checked: -	Approved: -
R2 - NOTES UPDATED TO INDICATE CORRECT LABEL DETAILS, STANDARDS UPDATED AS PER ECR CR-A253.			
APR - AHEDDLE	Drawn: RBATES	Checked: MBUTLER	Approved: GPLITH
			Date: 07/02/14



**SPECIFICATION**

- RATED VOLTAGE: 12 AND 24 VOLTS DIRECT CURRENT (WORKING VOLTAGE RANGE: 10 THRU 30 VOLTS)
- RATED CURRENT: 1 AMPERES OR LESS
- SOUND PRESSURE: 110±4 DECIBELS AT TEST VOLTAGE OF 14 AND 28 VOLTS
- CABLE THICKNESS: ALL CABLES 2410.2MM
- MESSAGE(S): \*THIS BUS IS UNDER ATTACK PLEASE DIAL 999\*
- MESSAGE LIBRARY NUMBER(S): M7389
- VOICE/ACCENT: FEMALE
- LANGUAGE: ENGLISH

- NOTES:**
1. MATERIAL: ABS PLASTIC - ULTRA VIOLET STABILIZED
  2. FINISH: BLACK
  3. FOR PRODUCT LABEL REFER TO LATEST REVISION OF DRAWING BE-002749-XX-13.
  4. FOR GIFTBOX LABEL REFER TO LATEST REVISION OF DRAWING BE-002325-XX-13.
  5. FOR MANUFACTURE LABEL REFER TO LATEST REVISION OF DRAWING BE-001990-XX-12.

**PROPRIETARY NOTICE**

THIS DESIGN AND TECHNICAL INFORMATION APPEARING ON THIS DRAWING IS THE PROPERTY OF BRIGADE ELECTRONICS, AND IS DISCLOSED IN CONFIDENCE. IT IS NOT TO BE COPIED, REPRODUCED, REVEALED TO OR EXPLOITED BY OTHERS, EITHER IN WHOLE OR IN PART WITHOUT THE EXPRESS WRITTEN CONSENT OF BRIGADE ELECTRONICS.

**BRIGADE**  
www.brigade-electronics.com

<p>Third Angle</p>	<p>Assembly Pl Approval AHEDDLE - 27/02/13</p>	<p>Approved by SMAITHENS</p>	<p>Checked by GPLITH</p>	<p>Drawn by MBUTLER</p>
	<p>Angle of Projection</p>	<p>Units mm</p>	<p>Scale N/A</p>	<p>Released 04/03/13</p>
	<p>Status RELEASED</p>	<p>BC-AA (BUS) (F)</p>		
	<p>Part No #4883</p>	<p>BE-001486-02-11</p>		